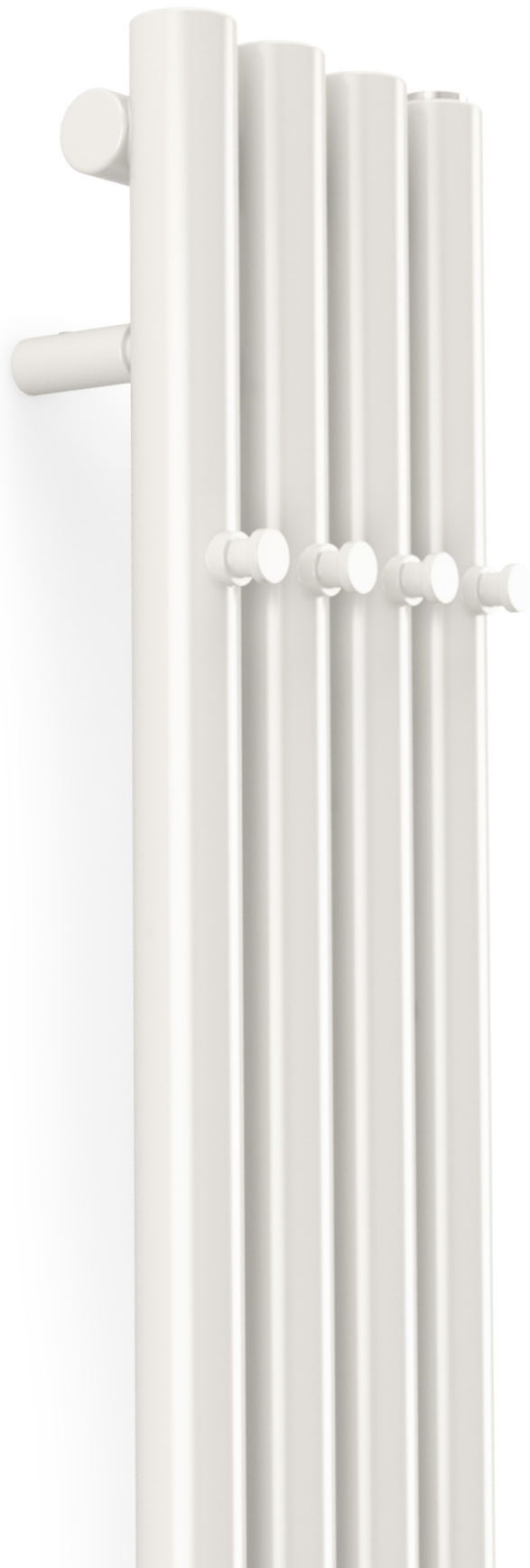




TERMA
SINCE 1990

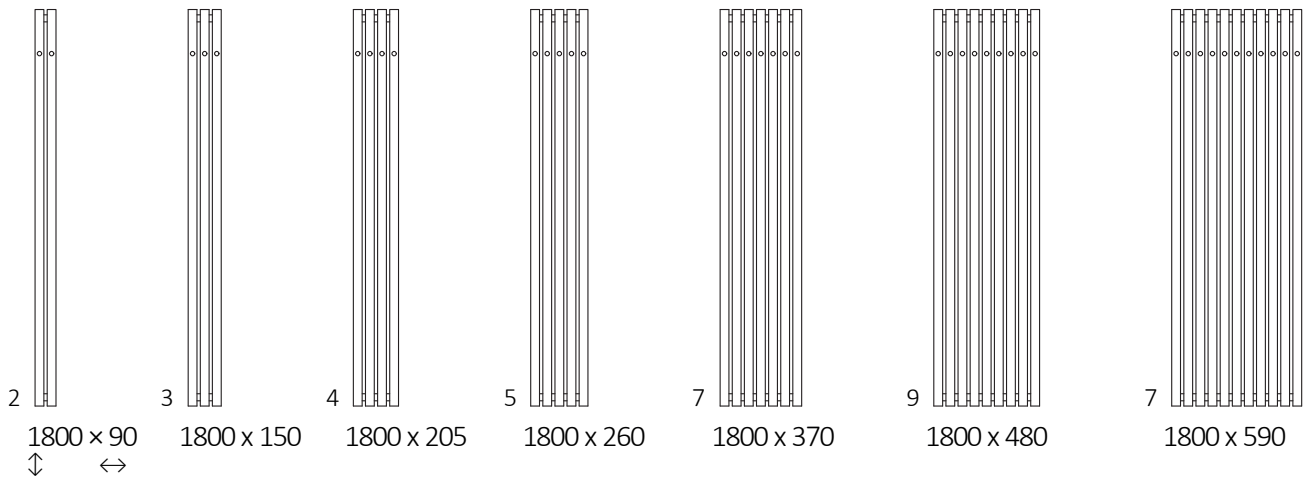
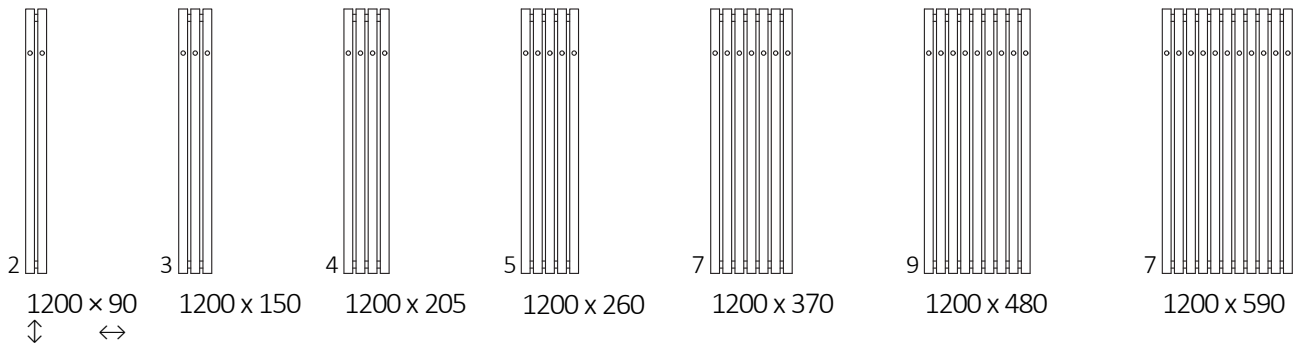
ROLO HANGER VATTENBUREN







STORLEKAR



Specifikationer Rolo Hanger Vattenburen

Anslutningar



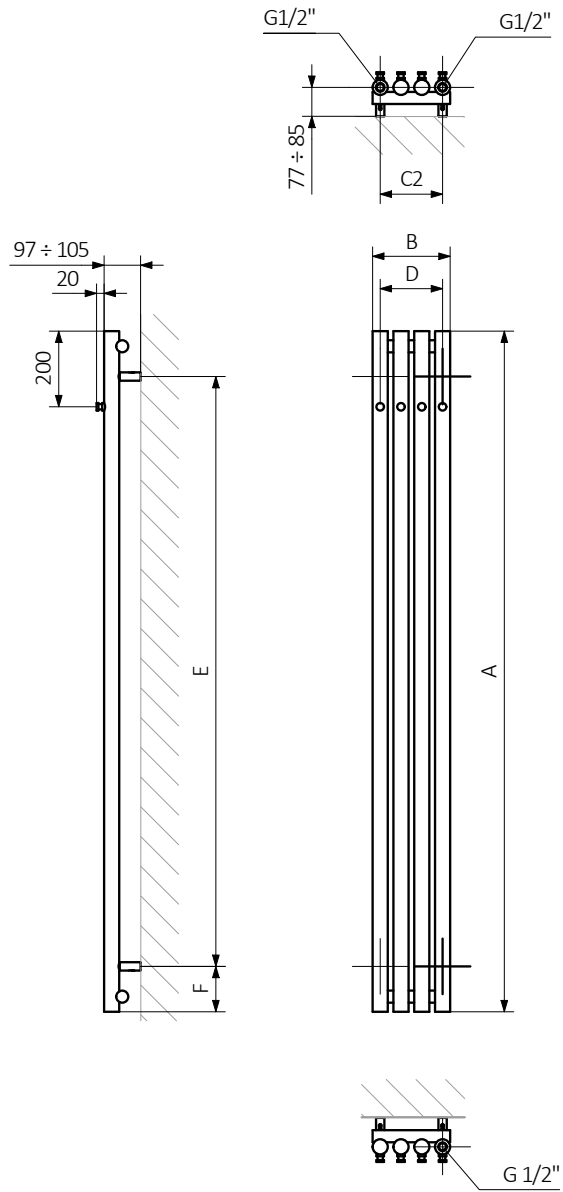
Height A ⇕ [mm]	Width B ↔ [mm]	Heating power			Product code ... Configuration p.7
		75/65/20°C [W]	55/45/20°C [W]	[W]	
1200	95	162	82	200	WGROW120009
1200	150	242	122	300	WGROW120015
1200	205	323	163	300	WGROW120020
1200	260	404	204	400	WGROW120026
1200	370	565	285	600	WGROW120037
1200	480	726	366	800	WGROW120048
1200	590	888	447	800	WGROW120059
1800	95	237	118	300	WGROW180009
1800	150	356	177	400	WGROW180015
1800	205	474	235	600	WGROW180020
1800	260	573	284	600	WGROW180026
1800	370	802	398	800	WGROW180037
1800	480	1 031	512	1 000	WGROW180048
1800	590	1 260	625	1 200	WGROW180059

Working pressure: 1000 kPa

Maximum operating temperature: 95°C

Height A ⇕ [mm]	Width B ↔ [mm]	Spacing connection C2 [mm]	Spacing connection C3 [mm]	Spacing horizontal fasteners D [mm]	Spacing vertical fasteners E [mm]	Bottom fasteners position F [mm]	Capacity [dm³]	Weight [kg]
1200	95	55	1 120	55	960	120	2,71	3,99
1200	150	110	1 120	110	960	120	4,08	5,90
1200	205	165	1 120	165	960	120	5,44	7,81
1200	260	220	1 120	110	960	120	6,81	9,72
1200	370	330	1 120	220	960	120	9,54	13,54
1200	480	440	1 120	330	960	120	12,27	17,35
1200	590	550	1 120	440	960	120	15,00	21,18
1800	95	55	1 720	55	1 560	120	4,00	5,82
1800	150	110	1 720	110	1 560	120	6,01	8,66
1800	205	165	1 720	165	1 560	120	8,02	11,51
1800	260	220	1 720	110	1 560	120	10,03	14,35
1800	370	330	1 720	220	1 560	120	14,06	19,99
1800	480	440	1 720	330	1 560	120	18,08	25,63
1800	590	550	1 720	440	1 560	120	22,10	31,28

MÅTTRITNING



Collector: Pipe:

